

30 / 10 ton overhead crane

Capacity: 30/10 tons

Electrical Class: 3

Supply Voltage: 525 V.A.C. – 3 phase

Control Voltage: 220 Contr. V

Main Power Supply: Vahle copper head rail GSV4

Crane Span: 27.5m

Crab Span: 3.7m

Operation control: Remote controlled (also cabin control functionality)

Mass: 55.72 tons

Main Hoist

Motor: 525V, 100Kw, 965rpm

Gearbox ratio: 1:33.05

Speed: 12m/min

Max Lifting height: 10m

Rope Drum: 630mm – RH / LH grooves

Rope size: 22mm diameter

Top Block: Double sheave arrangement - 560mm diameter

Bottom Block: 30 Ton c/w Rams horn hook

Equalizer: Single sheave 381mm diameter

Auxiliary Hoist

Description: Demag P.Hoist 625H26L4

Motor: 525V, 12.5Kw, 1410rpm

Speed: 6m/min

Max Lifting height: 13m

Long Travel

Motors: 2 x 525V, 8.5Kw, 1425rpm

Brake drum: 200mm diameter

Brake Thruster: SIBRE EBKH 200/23/6

Gearbox: BAUER SFG9 Ratio 40.32:1

Drive & trailing wheel: 400mm diameter

Speed: 44m/min

Cross Travel

Motor: 525V, 6Kw, 940rpm

Brake drum: 200mm diameter

Brake Thruster: SIBRE SB 200/23/6

Gearbox: BAUER SFG9 Ratio 40.32:1

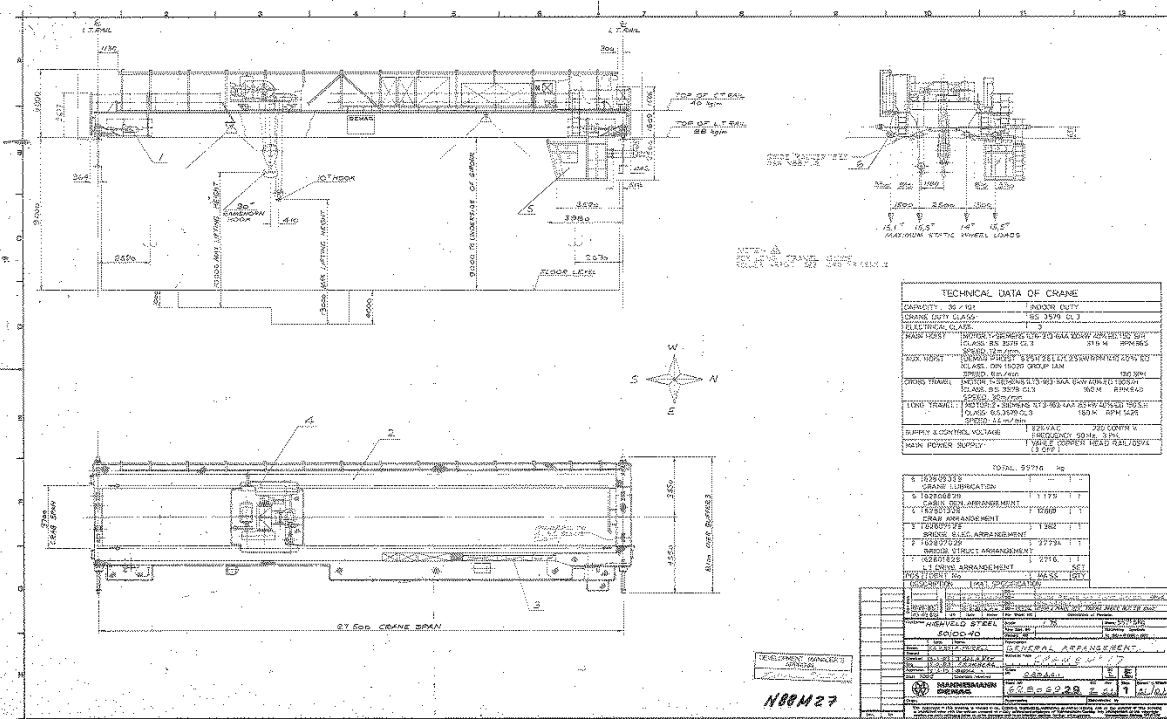
Drive & trailing wheel: 400mm diameter

Connecting shaft: 90mm diameter, 2447mm LG

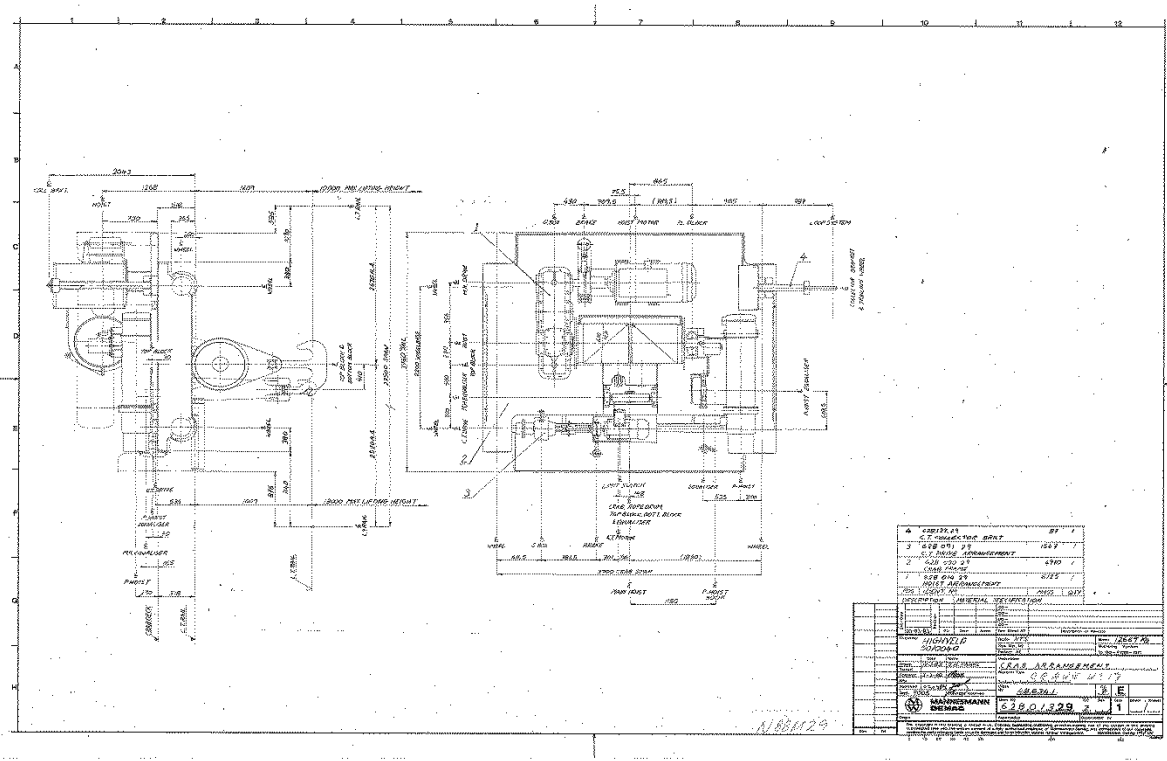
Speed: 30m/min

Drawings

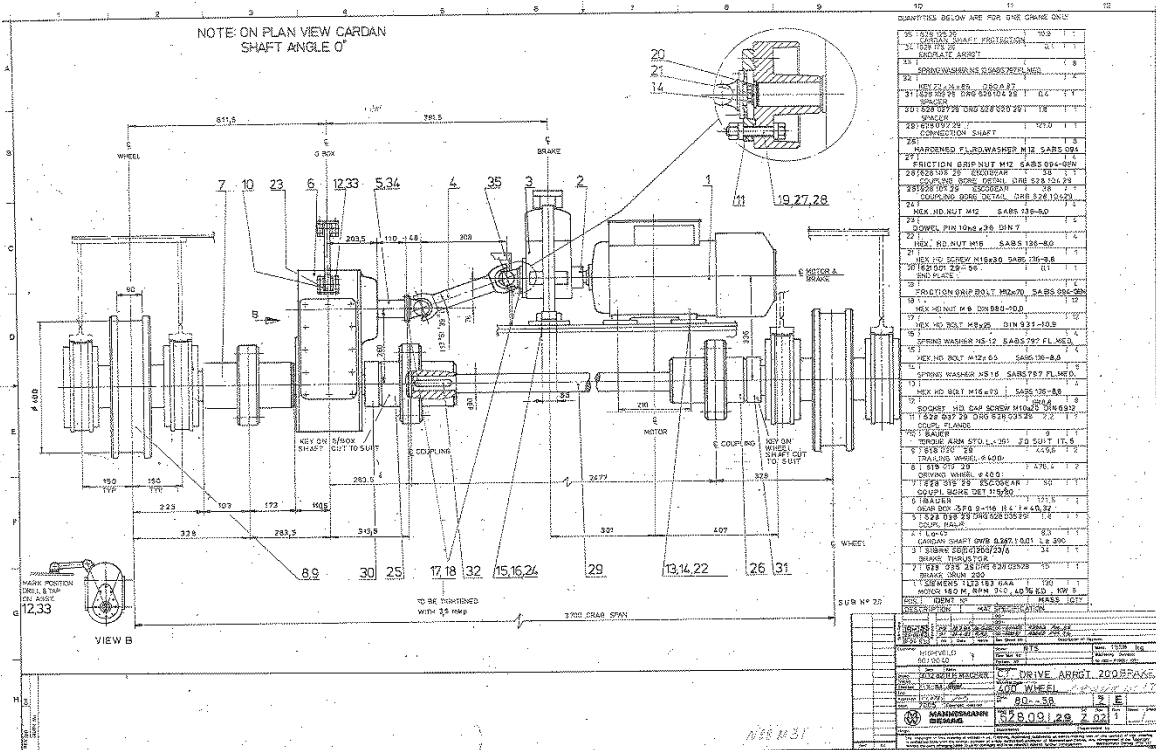
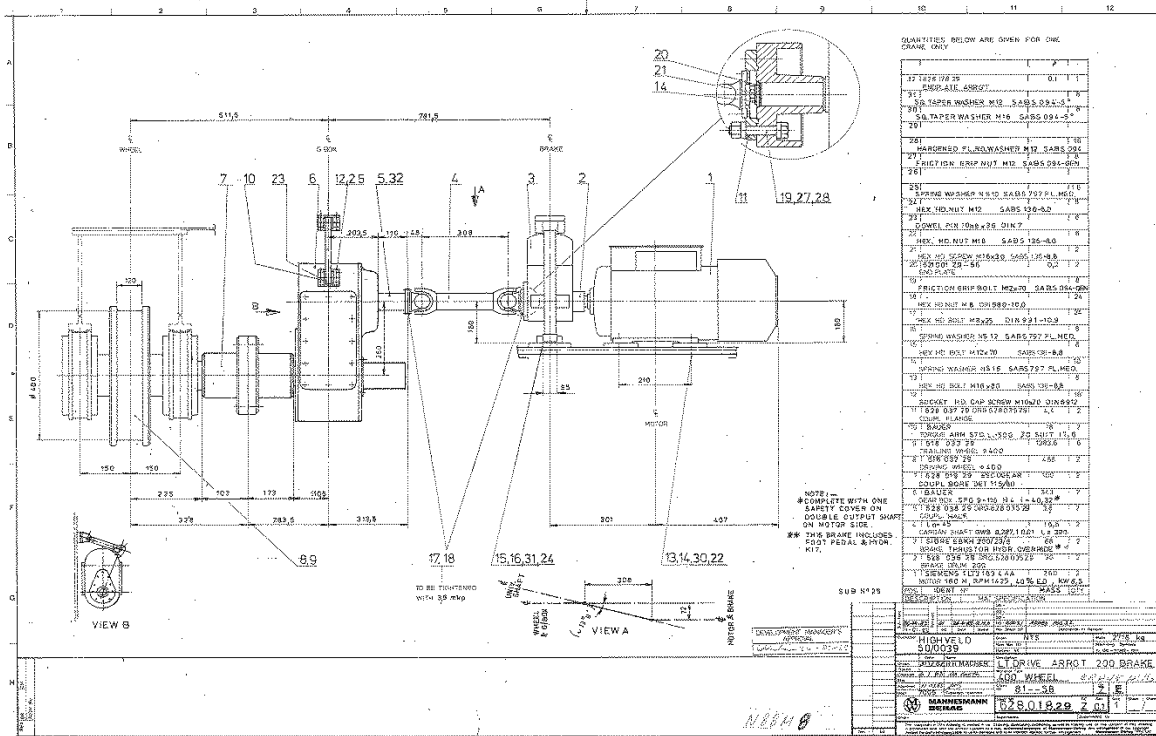
628069/29



NBBM 27



NBBM 29



Photographs



